

## SPEC SHEET: RF32D

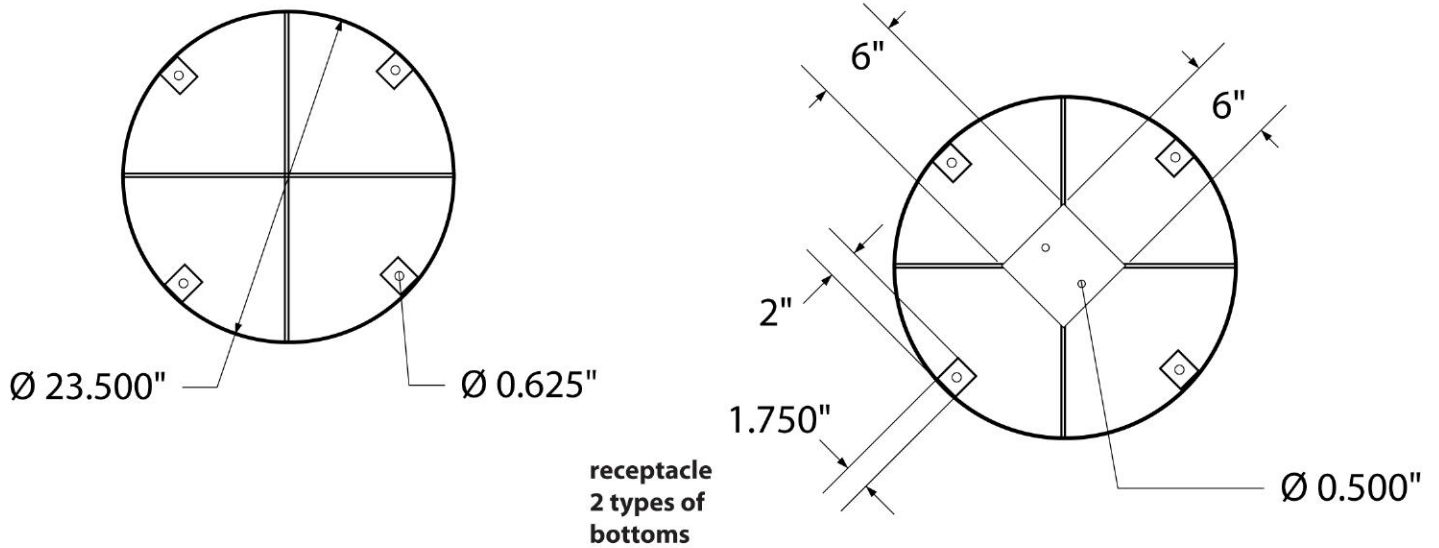
### 32 GALLON DIAMOND RECEPTACLE *portable*

Wt. 80 lbs

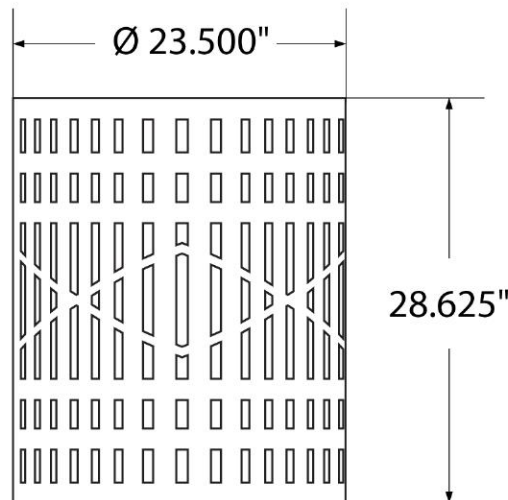
*photo*



*bottom / top view*



*front view*



## product details



### Coated Surfaces:

- Thermoplastic coated
- Copolymer-based, environmentally safe
- Does not fade, crack, peel or warp
- Applied at a thickness of 25-30 mils.
- 5 Year warranty on coating

### Construction:

- 11 Gauge steel

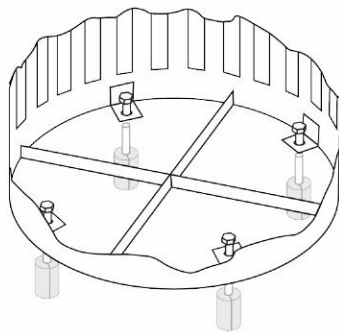
## mounting types

P = Portable : no mount

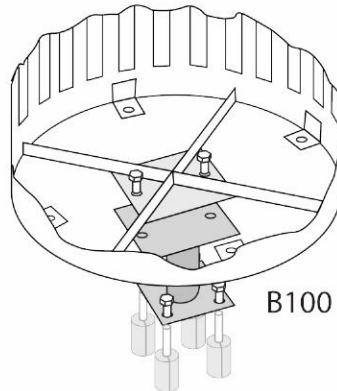
SM 1= Surface Mount1:  
concrete anchors  
through taps welded  
to receptacle bottom  
mount

SM 2= Surface Mount2:  
bolts through bottom plate into B100  
surface mount. B100 Mounted to  
ground with anchors embedded  
in concrete.

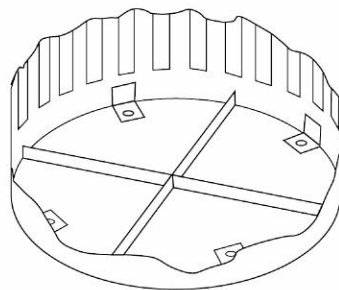
IG= In-Ground:  
anchor bolts attach  
to B200 receptacle  
mount



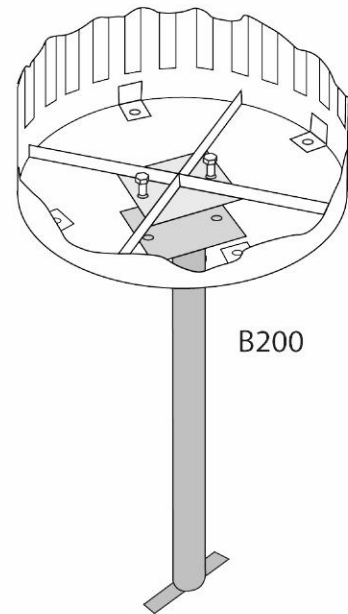
SURFACE MOUNT (1)



SURFACE MOUNT (2)



PORTABLE



IN-GROUND